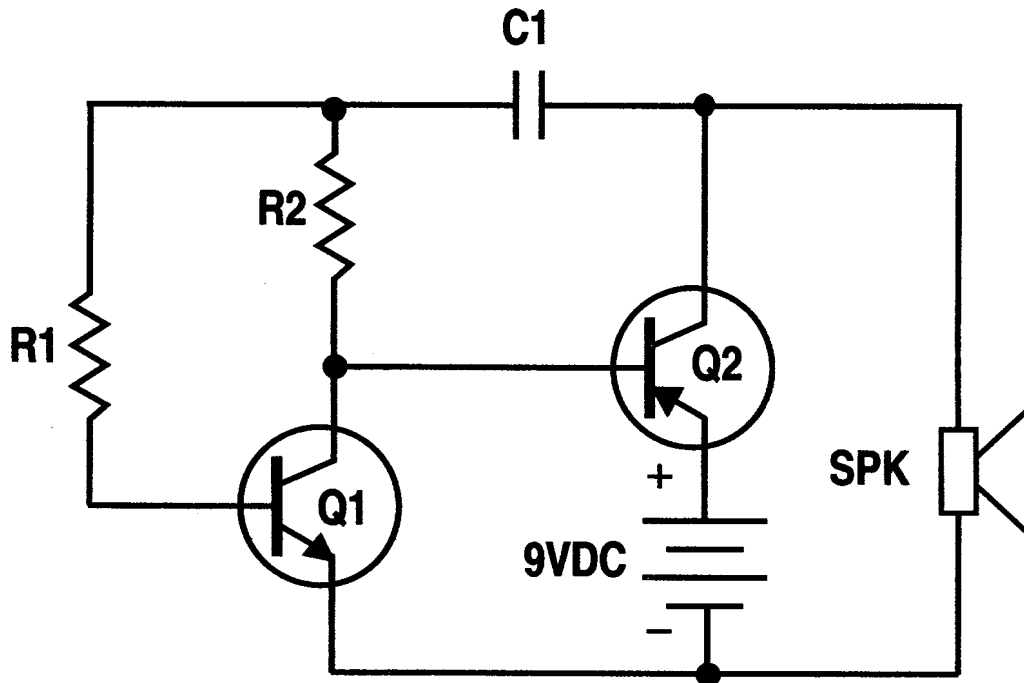


## Electronics: Two-Transistor Audio Oscillator

This circuit is composed of two transistors connected as a direct coupled oscillator that produces a high pitched tone from the speaker. This is a follow-up on the metronome circuit.



### PARTS LIST

- C1----- .01  $\mu$ fd Disc Capacitor
- Q1----- 2N3904 NPN Transistor
- Q2----- 2N3906 PNP Transistor
- R1----- 15K Resistor
- R2----- 620K Resistor
- SPK--- Speaker
- Misc.-- Battery Snap, 1pc wire